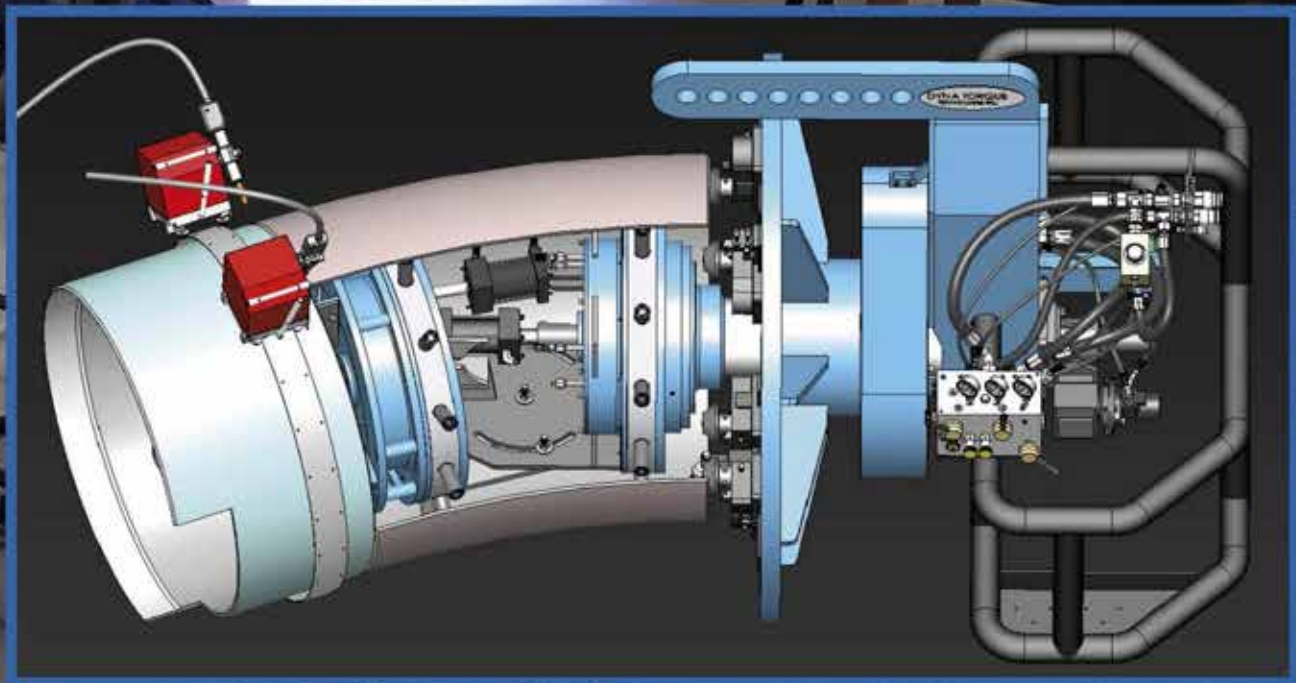


WORLD PIPELINES[®]

Volume 18 Number 10 - October 2018





Composite Repair Specialist

REINFORCEKIT® 4D

PIPE REPAIR
ONSHORE & SUBSEA



REINFORCEKIT® PATCH & TANKIT®

TANK REPAIR
& LEAK SEALING



STOPKIT®

ONLINE
LEAK SEALING



ROLLERKIT®

PIPE & SUPPORT
PROTECTION



REFLANGEKIT®

ONLINE REPAIR FOR
SF6 LEAKING FLANGE



REINFORCEKIT® BEAM & DIKIT®

STEEL BEAM REPAIR
& PROTECTION



www.3xengineering.com



IPLOCA

Nurturing the evolution of pipeline technology



For over 50 years IPLOCA has been
at the forefront of the pipeline industry.

With members in more than 40 countries, IPLOCA
represents some 250 of the key players in the onshore
and offshore pipeline construction industry worldwide.

Visit www.iploca.com to find out more



International Pipe Line & Offshore
Contractors Association
Geneva - Switzerland